

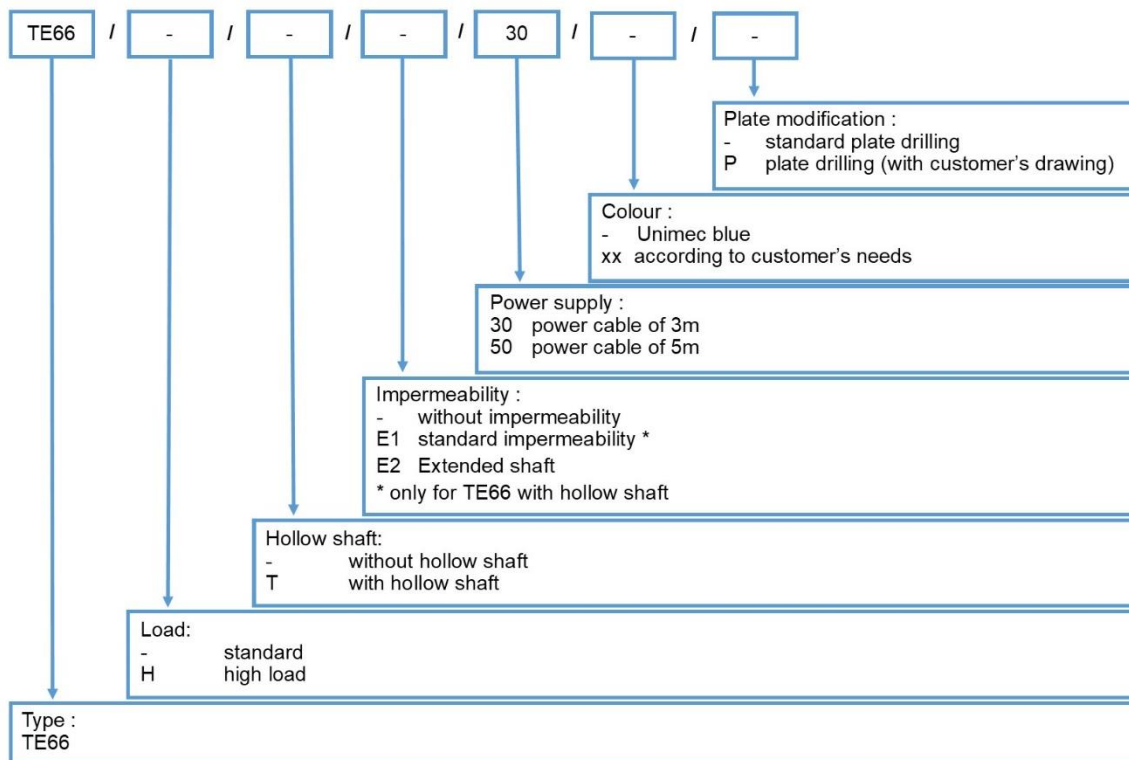
Electric rotary tables TE66 and TE66/H

Description

- Electrical rotation
- Compact design
- Precision and speed
- High load with TE66/H
- High flexibility



Order example

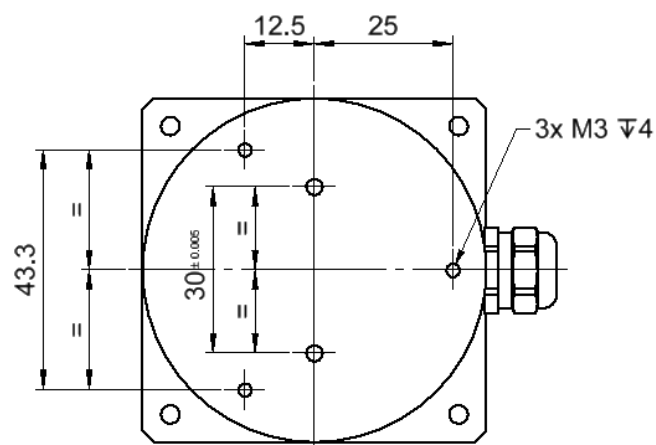
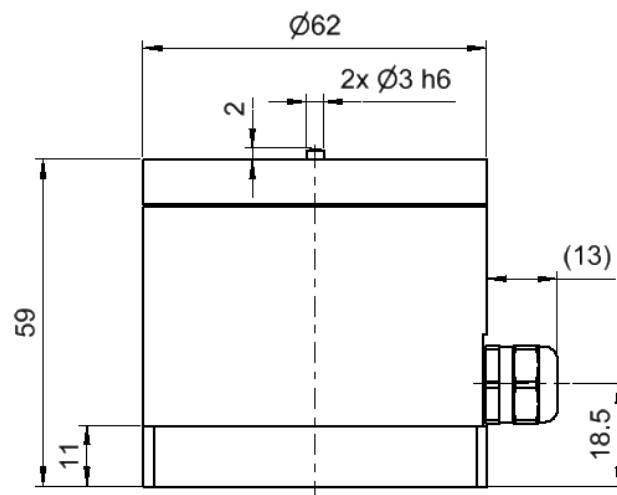
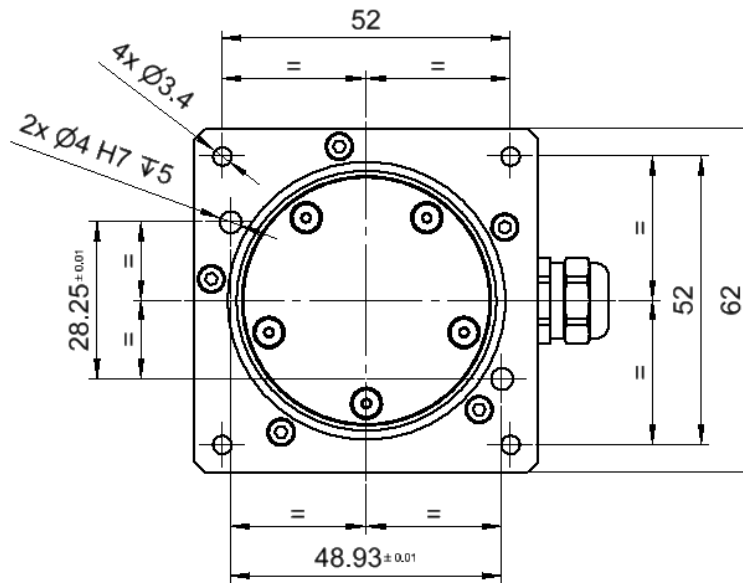


Technical data

	TE66	TE66/H
Dimensions	Ø 62 x 59 mm	Ø 62 x 63 mm
Rotation flatness	15 µm	15 µm
Repeatability	± 5 arcsec	± 5 arcsec
Precision	± 70 arcsec	± 70 arcsec
Speed	300 rpm	300 rpm
Nominal rotation torque	0,2 Nm	0,2 Nm
Peak rotation torque	0,55 Nm	0,55 Nm
Maximum axial force	120 N	5000 N
Interface	Digital I/O, Modbus RS485, Ethernet	Digital I/O, Modbus RS485, Ethernet
Weight	0,6 kg	0,6 kg

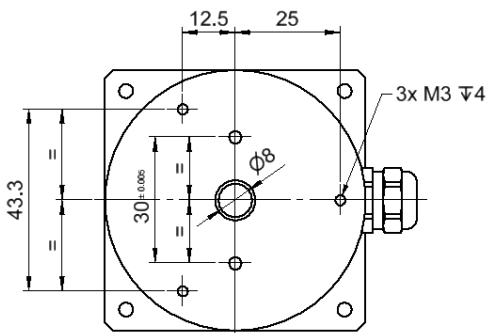
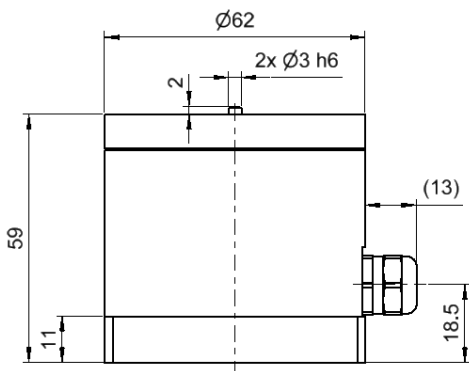
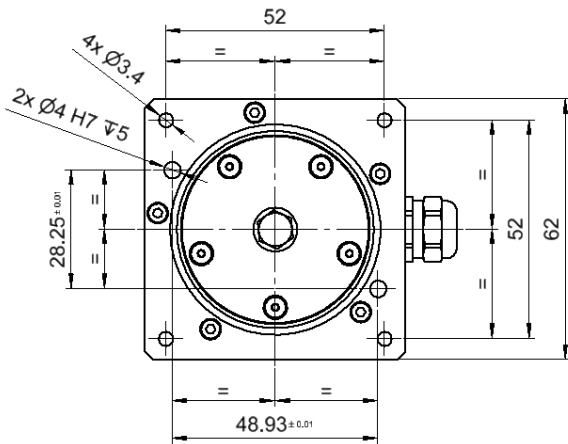


Dimensions and drawings for TE66

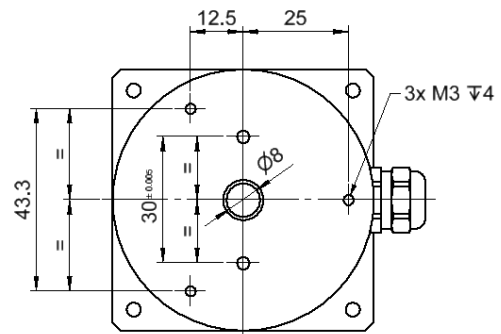
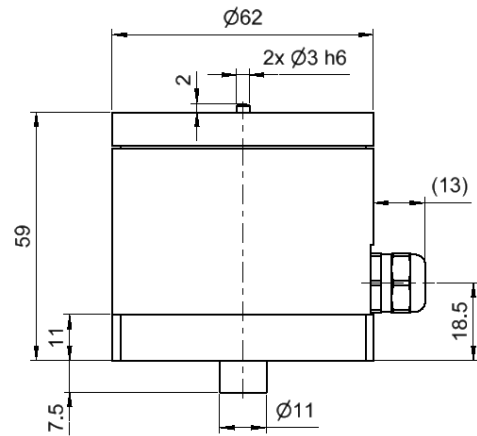
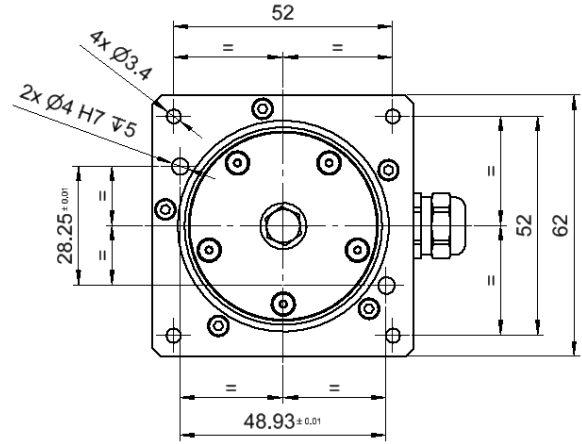


Dimensions and drawings for TE66 with central hole

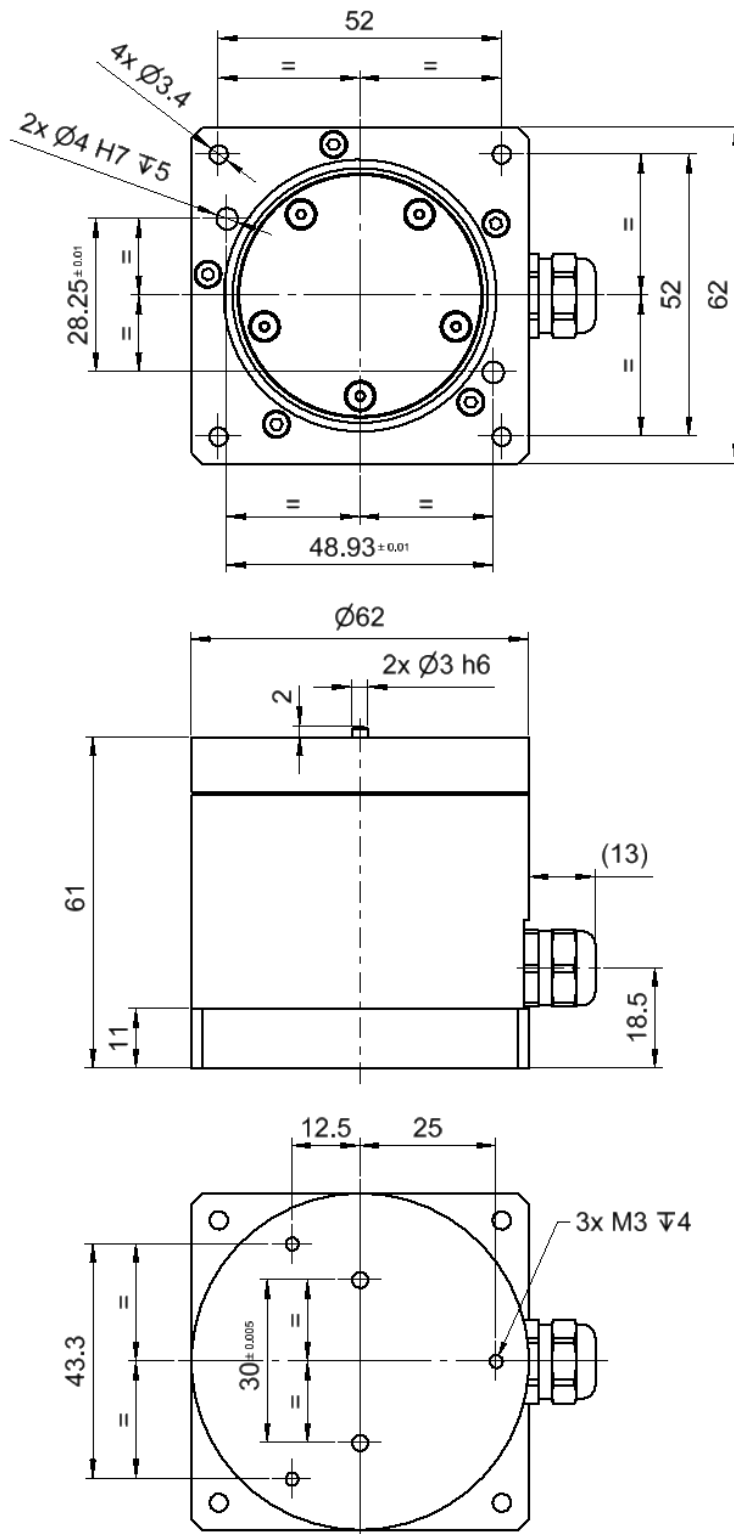
With short shaft



With extended shaft

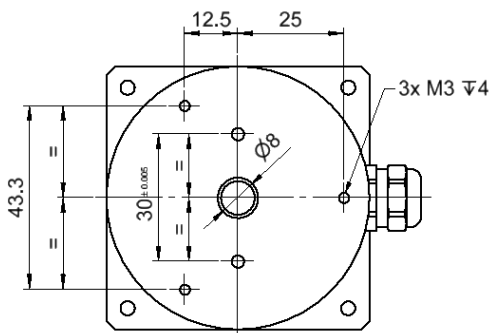
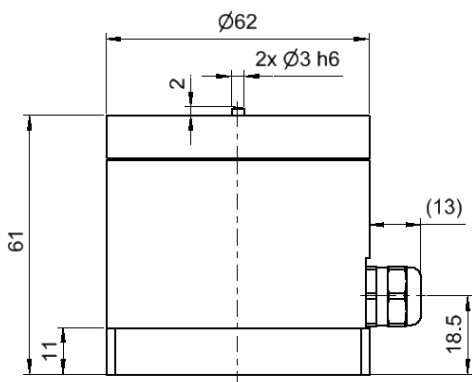
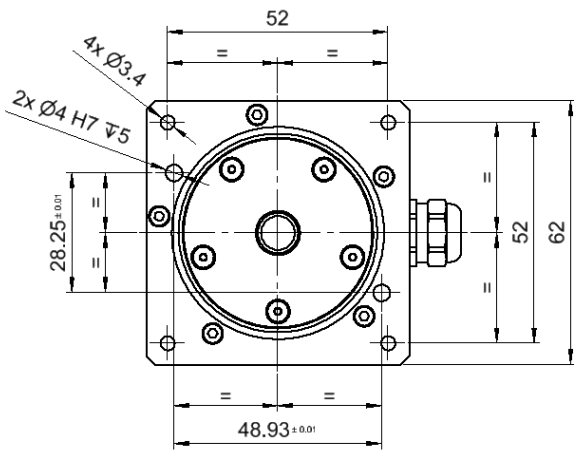


Dimensions and drawings for TE66/H



Dimensions and drawings for TE66/H with central hole

With short shaft



With extended shaft

