

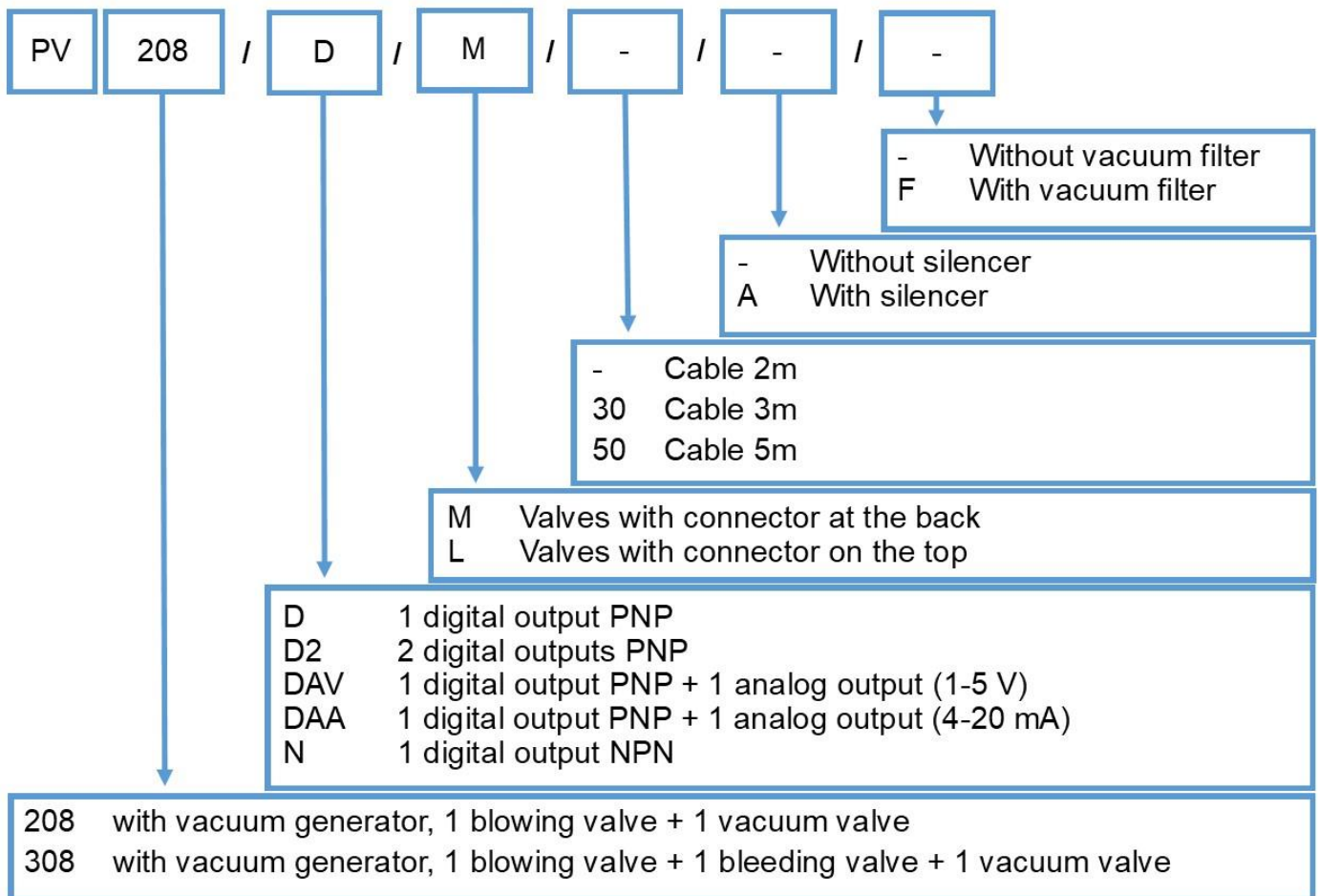
Pressure and vacuum units PV208/308

Description

- Pressure and vacuum units used for handling of components per vacuum
- Precise blowing flow adapting via adjustment screw
- Flexible installation
- Quick and simple cleaning



Order example for these pressure and vacuum units



Technical data

Model	PV208 / PV308
Supply pressure	1.5 to 7 bars
Maximum vacuum	- 0.82 bar (+/-3%)
Air consumption (suction)	46 l/min
Maximum air flow (blowing)	100 l/min
Valves voltage	24V
Vacuum switch	2-colour display
Output	PNP / 1-5 V / 4-20 mA / NPN
Connections (Ø)	Input: Ø6 / Output: Ø4
Dimensions (l x w x h)	112 x 31 x 80 mm
Weight	310 g

Combinable with

Pneumatic rotating transport arms
Electric manipulator robots

