



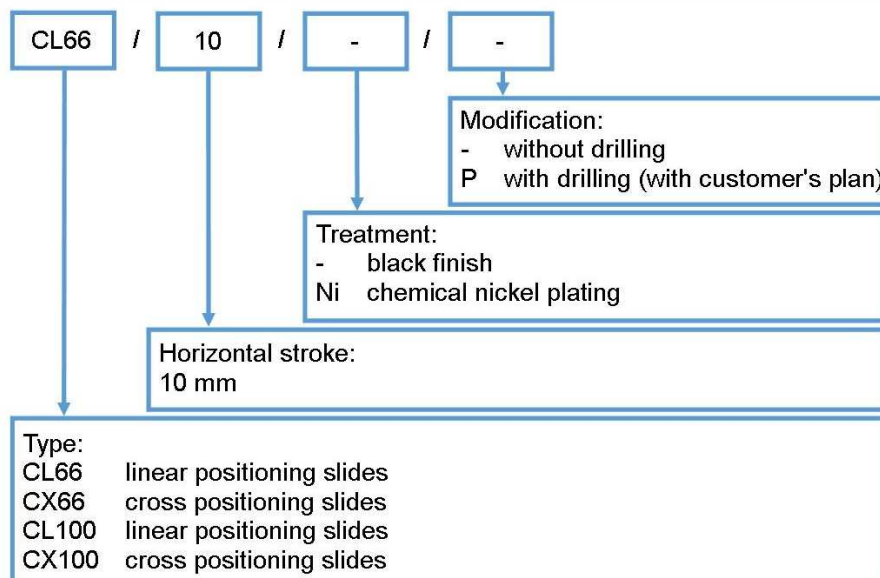
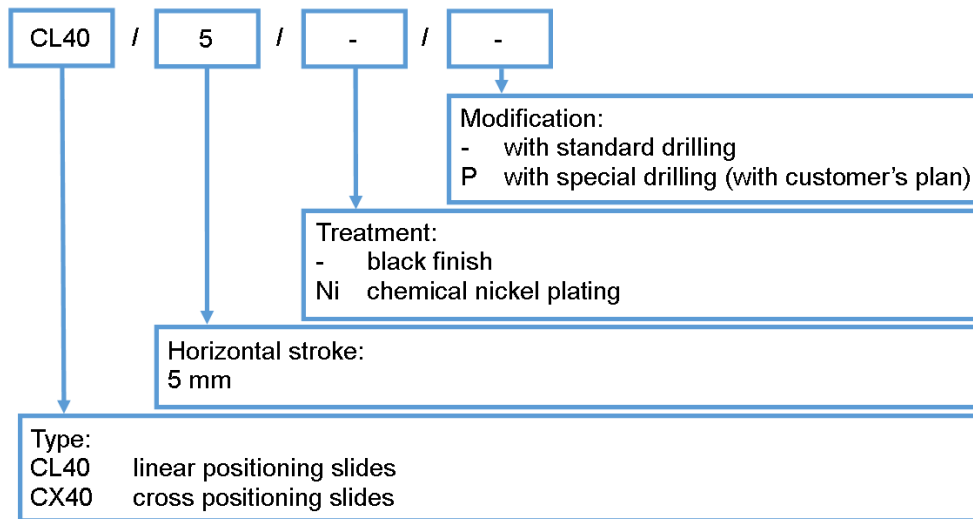
Features

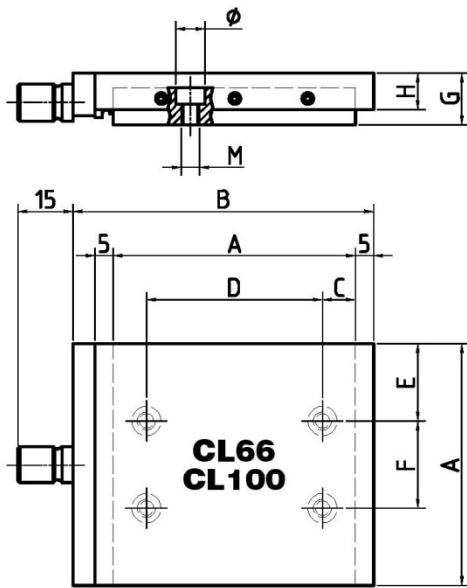
- Linear and cross slides
- Used to secure precise positioning of different elements
- For Unimec products or other applications
- Compact size that facilitates location
- Steel with black finish
- Equipped with a precision fine pitch thumb screw



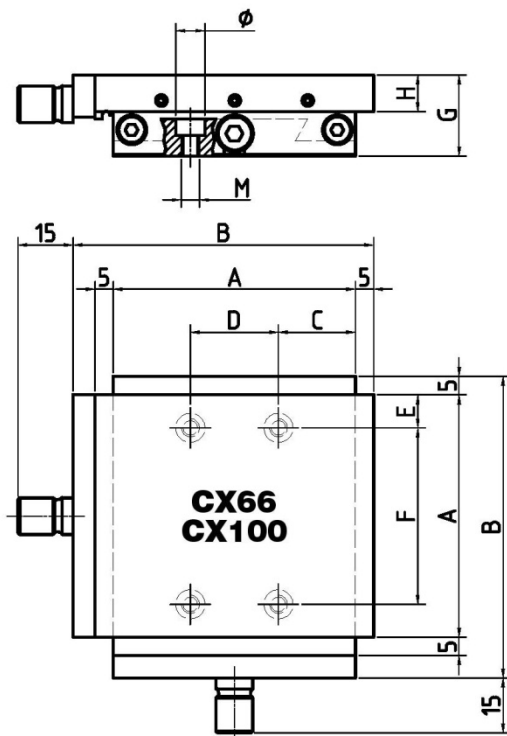
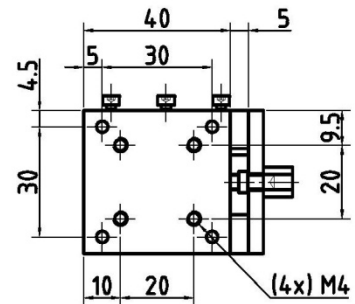
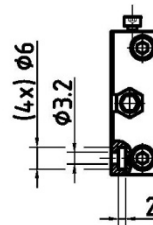
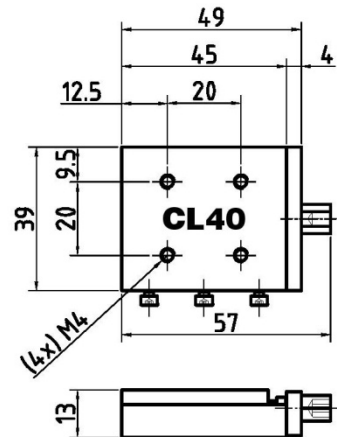
Positioning slides CL: linear slides
Positioning slides CX: cross slides

To order these positioning slides





	A	B	C	D	E	F	G	H	M	Ø
CL66	66	82	9	48	21	24	14	10	5	8
CL100	99	115	9.5	80	29.5	40	20	14	6	10



	A	B	C	D	E	F	G	H	M	Ø
CX66	66	82	21	24	9	48	22	10	5	8
CX100	99	115	29.5	40	9.5	80	32	14	6	10

