

Tool holders BSA and BSF

Features

Unimec tool holders are indispensable accessories to use the rotating transport arms BP66 and BP100. They make quick work of assembling workholding devices (grippers or suction cups).

Two dimensions are available:

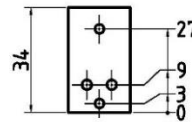
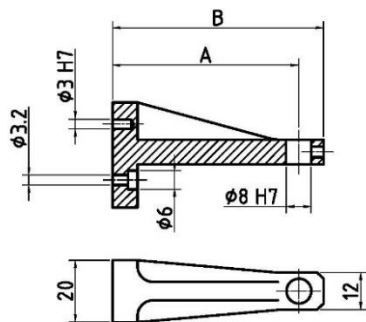
Tool holders BSA66 and BSF66: for rotating transport arms BP66

Tool holders BSA100: for rotating transport arms BP100

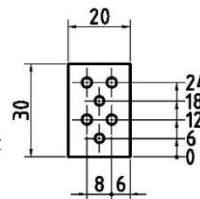
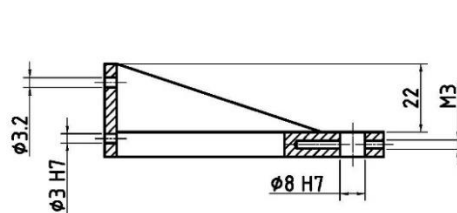
Tool holders BSA66 and BSA100 are made of black anodised aluminium; tool holders BSF66 are made cast iron with black finish.



Dimensions and drawing



	A	B
BSA66-100	60	68
BSA66-125	85	93
BSA66-150	110	118



	A	B	C
BSF66-120	80	90	54
BSF66-140	100	110	74
BSF66-160	120	130	94

