

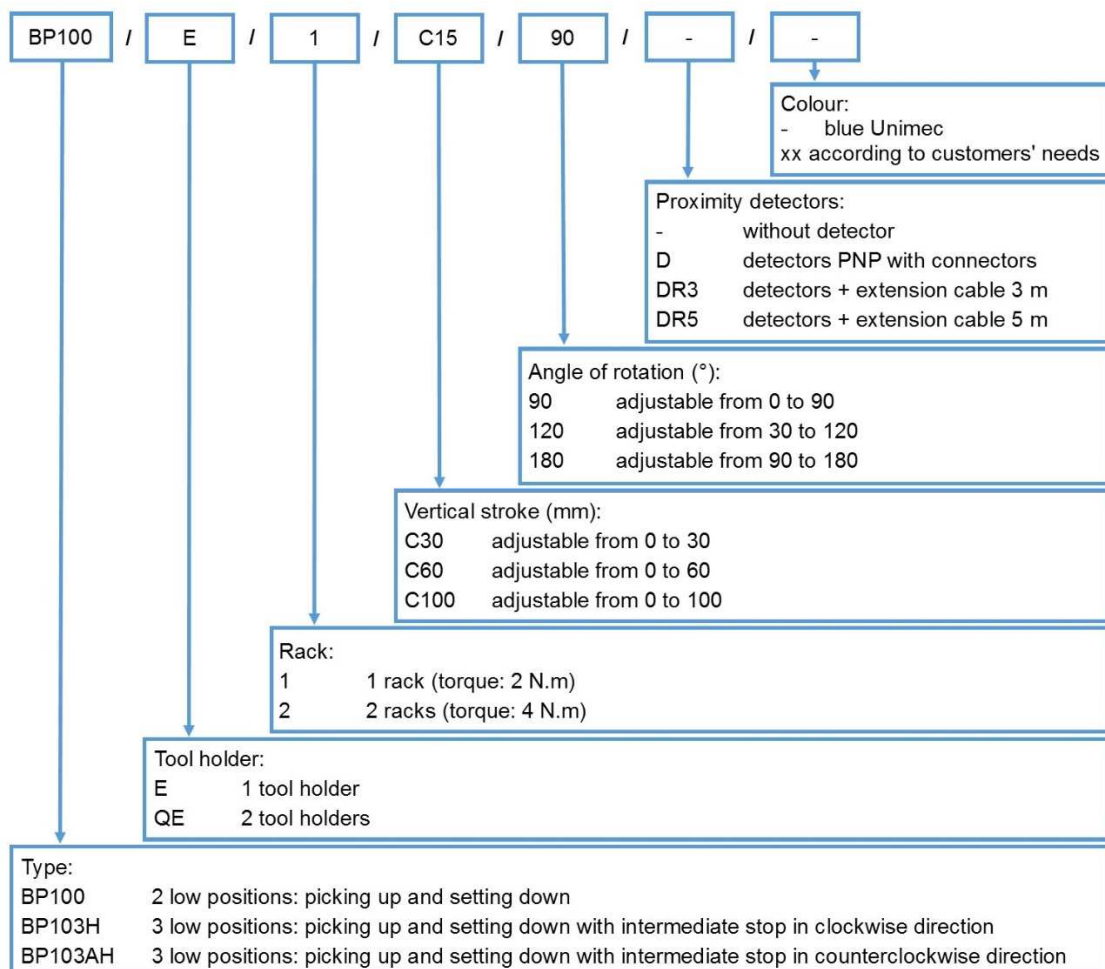
## Pneumatic rotating transport arms BP103

### Features

- Transport and assembly of different parts
- High speed and precision
- Repeatability of sequences
- Numerous application possibilities
- Independently adjustable picking up and setting down positions
- Independently adjustable movement speeds
- Hydraulic shock absorbers at the end of the rotation
- Carbide travel stops



### To order these pneumatic rotating transport arms



### Technical data

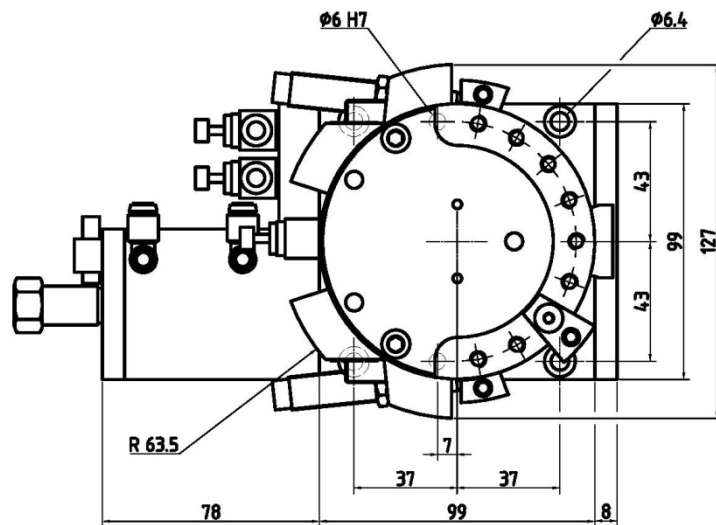
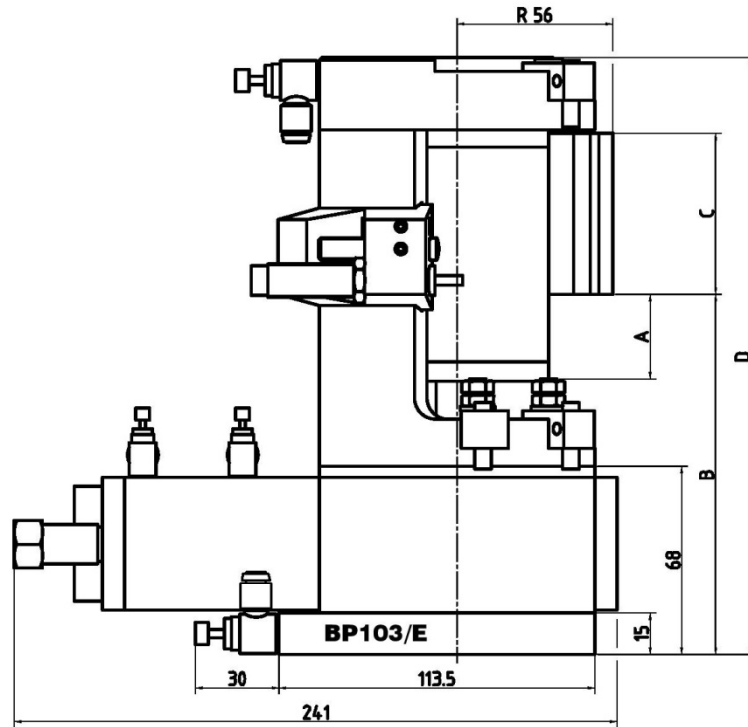
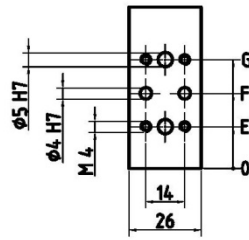
Angular accuracy (")	15
Angular accuracy int. Stop (')	5
Load moment of inertia (kg.m <sup>2</sup> )	0,08
Torque (N.m)	4
Vertical force (N)	400
Working pressure (bar)	3 - 6
Working rate (cycles/mn)	from 20 to 50
Net weight (kg)	5,9 and 6,6

### Options

- Positioning slides
- Tool holders
- Pressure and vacuum units



## Dimensions and plan – BP103/E



	A	B	C	D	E	F	G
BP103/E/30	30	130	58	215	15	27	39
BP103/E/C60	60	160	76	263	15	36	57
BP103/E/C100	100	200	116	343	21	58.5	96

