

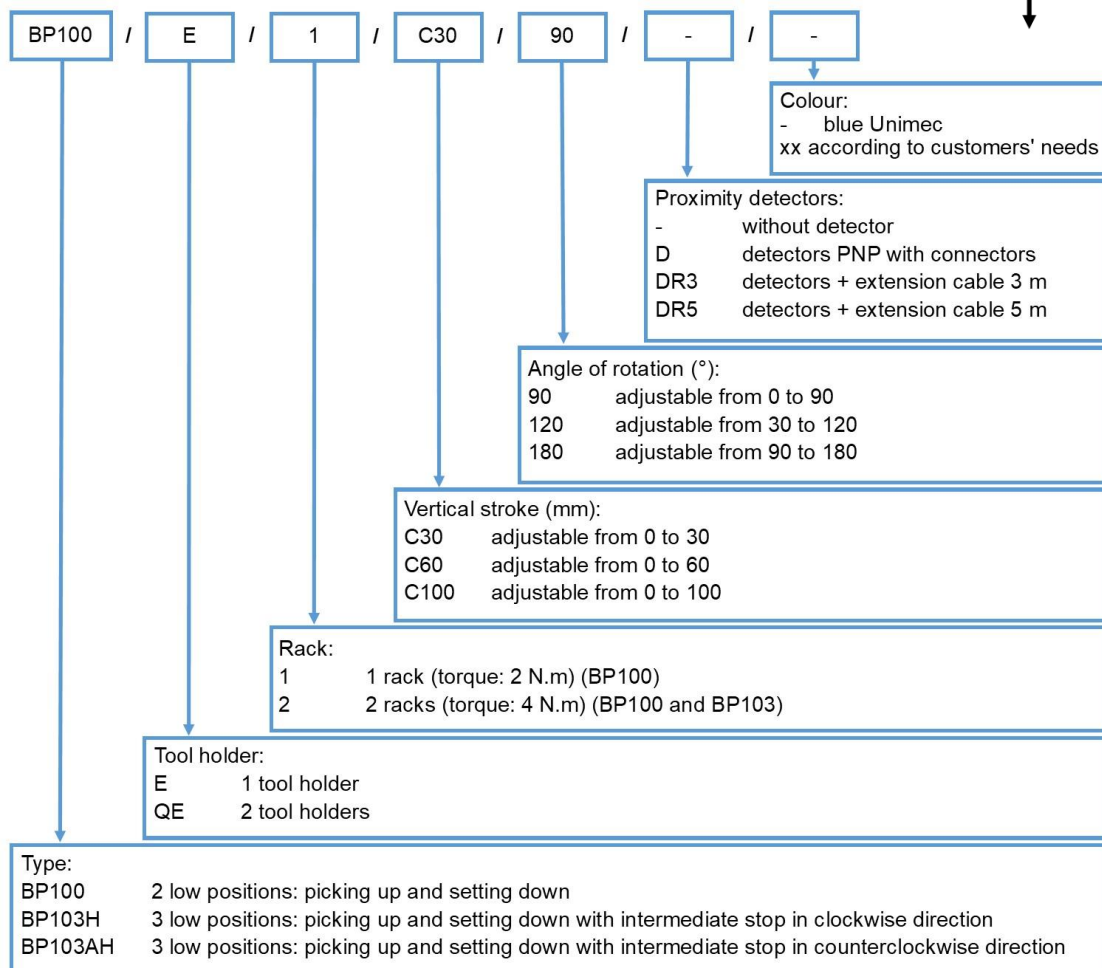
Pneumatic rotating transport arms BP100

Features

- Transport and assembly of different parts
- High speed and precision
- Repeatability of sequences
- Numerous application possibilities
- Independently adjustable picking up and setting down positions
- Independently adjustable movement speeds
- Hydraulic shock absorbers at the end of the rotation
- Carbide travel stops



To order these pneumatic rotating transport arms



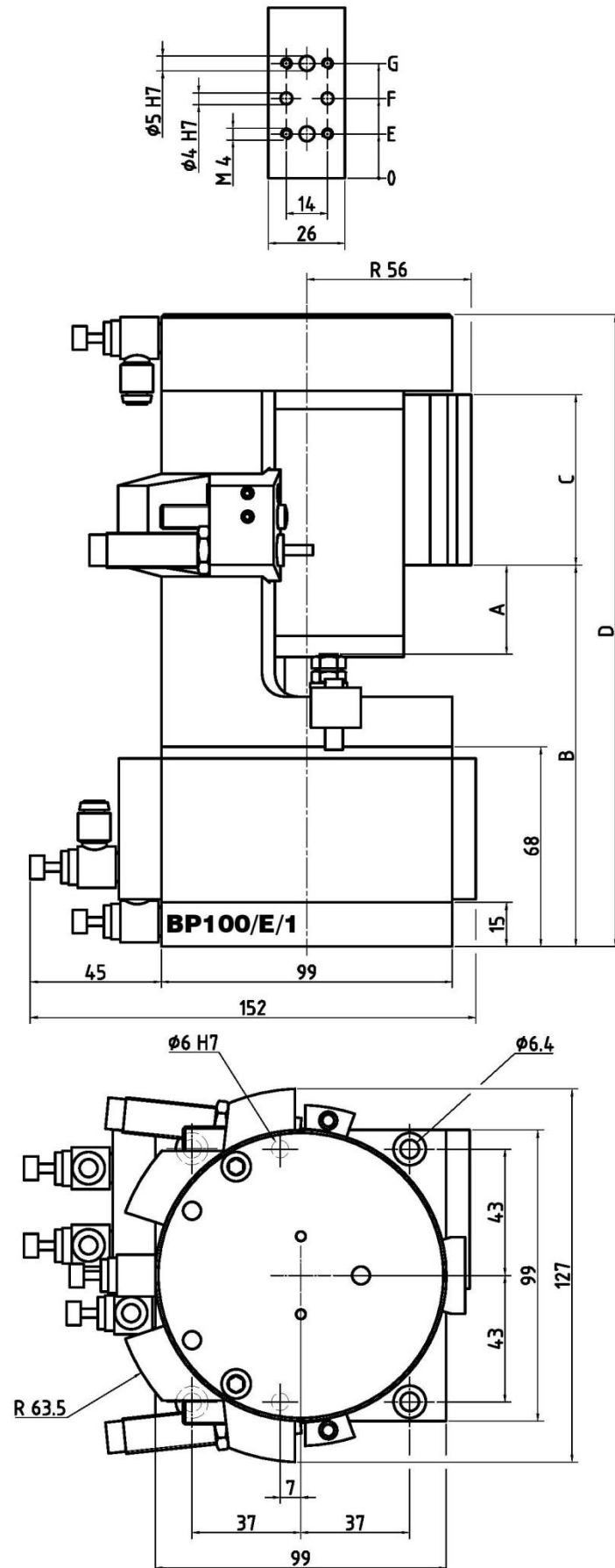
Technical data

Angular accuracy (")	15
Load moment of inertia (kg.m ²)	0,08
Torque (N.m)	2 and 4
Vertical force (N)	400
Working pressure (bar)	3 – 6
Working rate (cycles/mn)	from 20 to 50
Net weight (kg)	5,3 and 6,2

Options

Positioning slides
Tool holders
Pressure and vacuum units





Dimensions and plan – BP100/E/2

